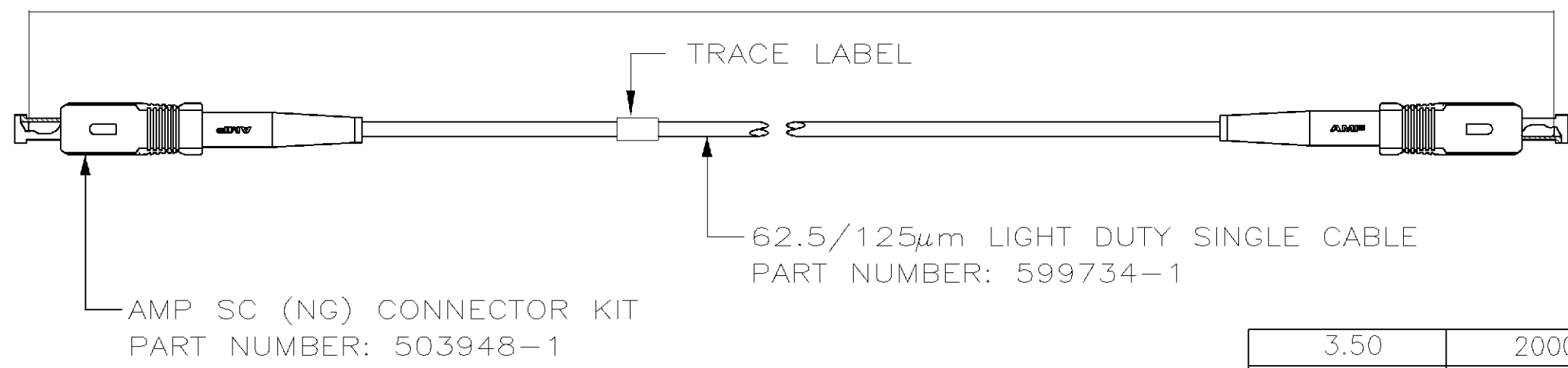


THIS DRAWING IS UNPUBLISHED. RELEASED FOR PUBLICATION ,19 .  
 © COPYRIGHT 19 BY AMP INCORPORATED. ALL RIGHTS RESERVED.

LOC	DIST	REVISIONS			
P	LTR	DESCRIPTION	DATE	DWN	APVD
CE	16				
	D	REV PER EC A40-0163-02	26APR02	ADB	SM

1. DIMENSIONS IN [ ] ARE IN INCHES.
2. MAXIMUM INSERTION LOSS IS 0.5dB PLUS CABLE ATTENUATION OF 1.5dB/km AT 1300nm.



3.50	2000±20 [78740±787]	9-504970-9
1.33	550±5 [21653±197]	9-504970-8
0.52	13.72±0.15 [540±6]	1-504970-1
0.52	12.19±0.15 [480±6]	1-504970-0
0.52	10.67±0.15 [420±6]	504970-9
0.51	6.1±0.08 [240±3]	504970-8
0.53	20±0.3 [787±12]	504970-7
0.52	15±0.15 [591±6]	504970-6
0.52	10±0.15 [394±6]	504970-5
0.51	5±0.08 [197±3]	504970-4
0.50	3±0.05 [118±2]	504970-3
0.50	2±0.05 [79±2]	504970-2
0.50	1±0.05 [39±2]	504970-1
MAX IL (dB)	L	PART NUMBER

THIS DRAWING IS A CONTROLLED DOCUMENT.		DWN S.URICH 20APR99	<b>AMP</b> AMP Incorporated Harrisburg, PA 17105-3608	
DIMENSIONS: METERS ■ [INCHES]		CHK R.PAUL 23APR96		
TOLERANCES UNLESS OTHERWISE SPECIFIED:		APVD N.MILLER 24APR96	NAME	
0 PLC ± -		PRODUCT SPEC	CABLE ASSY, FIBER OPTIC, 62.5/125µm LDS, AMP SC (NG) TO AMP SC (NG), OPTIMATE	
1 PLC ± -		APPLICATION SPEC	SIZE	RESTRICTED TO
2 PLC ± -		WEIGHT	A3	-
3 PLC ± -		CUSTOMER DRAWING	CAGE CODE	SCALE
4 PLC ± -			00779	NTS
ANGLES ± -			DRAWING NO	SHEET
FINISH			C-504970	1 OF 1
MATERIAL				REV
				D